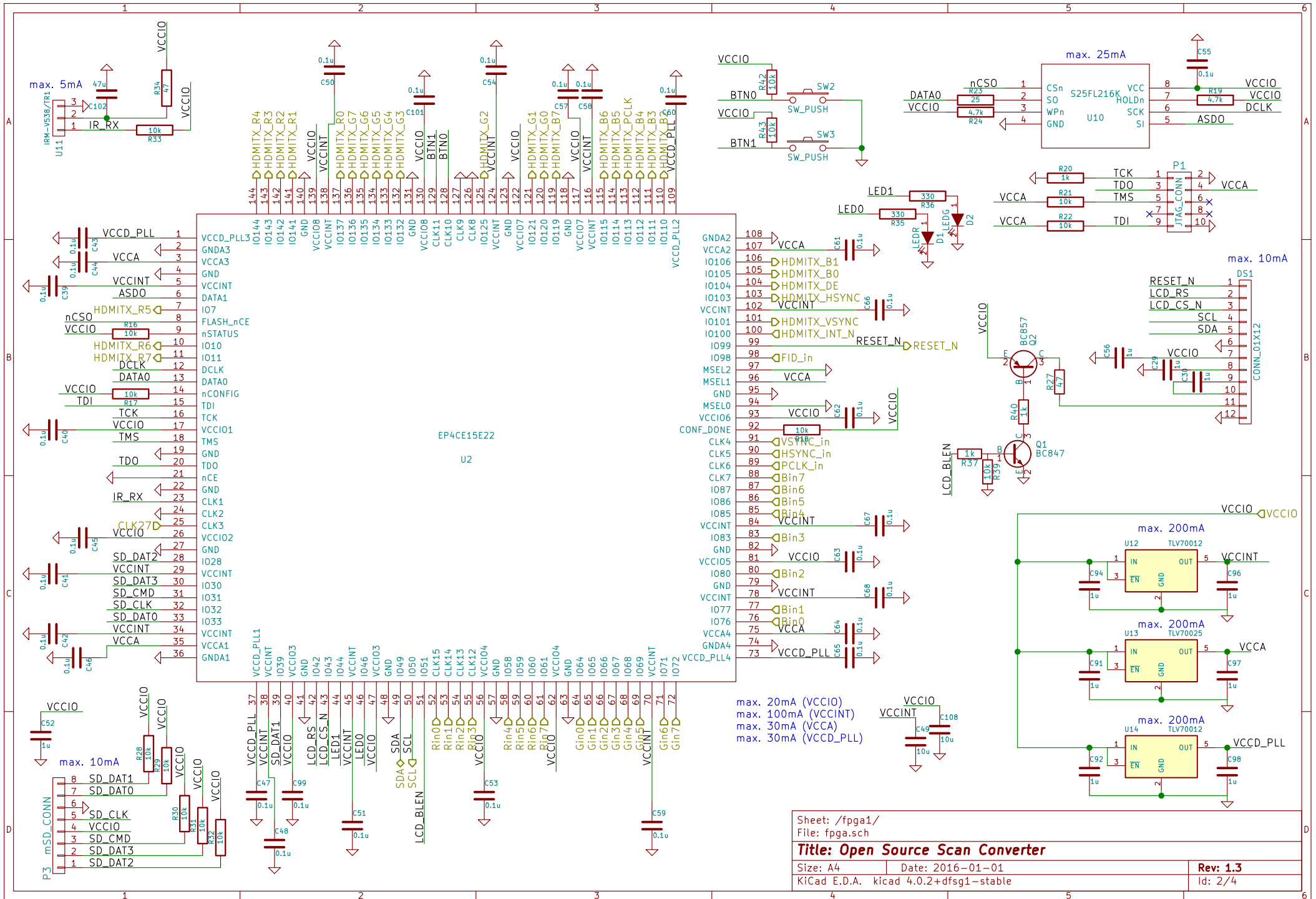
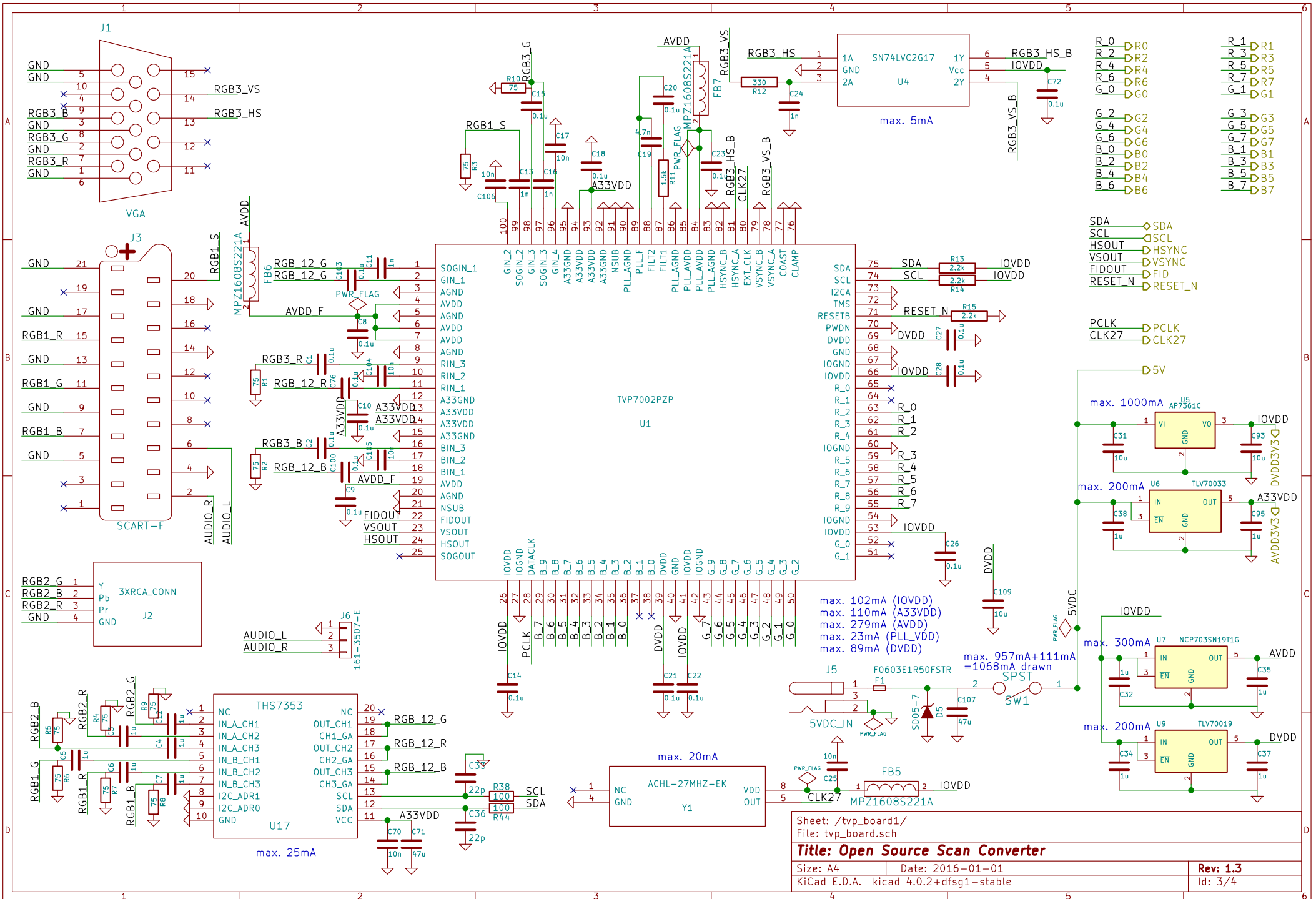


Sheet: /	
File: ossc_board.sch	
Title: Open Source Scan Converter	
Size: A4	Date: 2016-01-01
KiCad E.D.A. kicad 4.0.2+dfsg1-stable	Rev: 1.3
	Id: 1/4

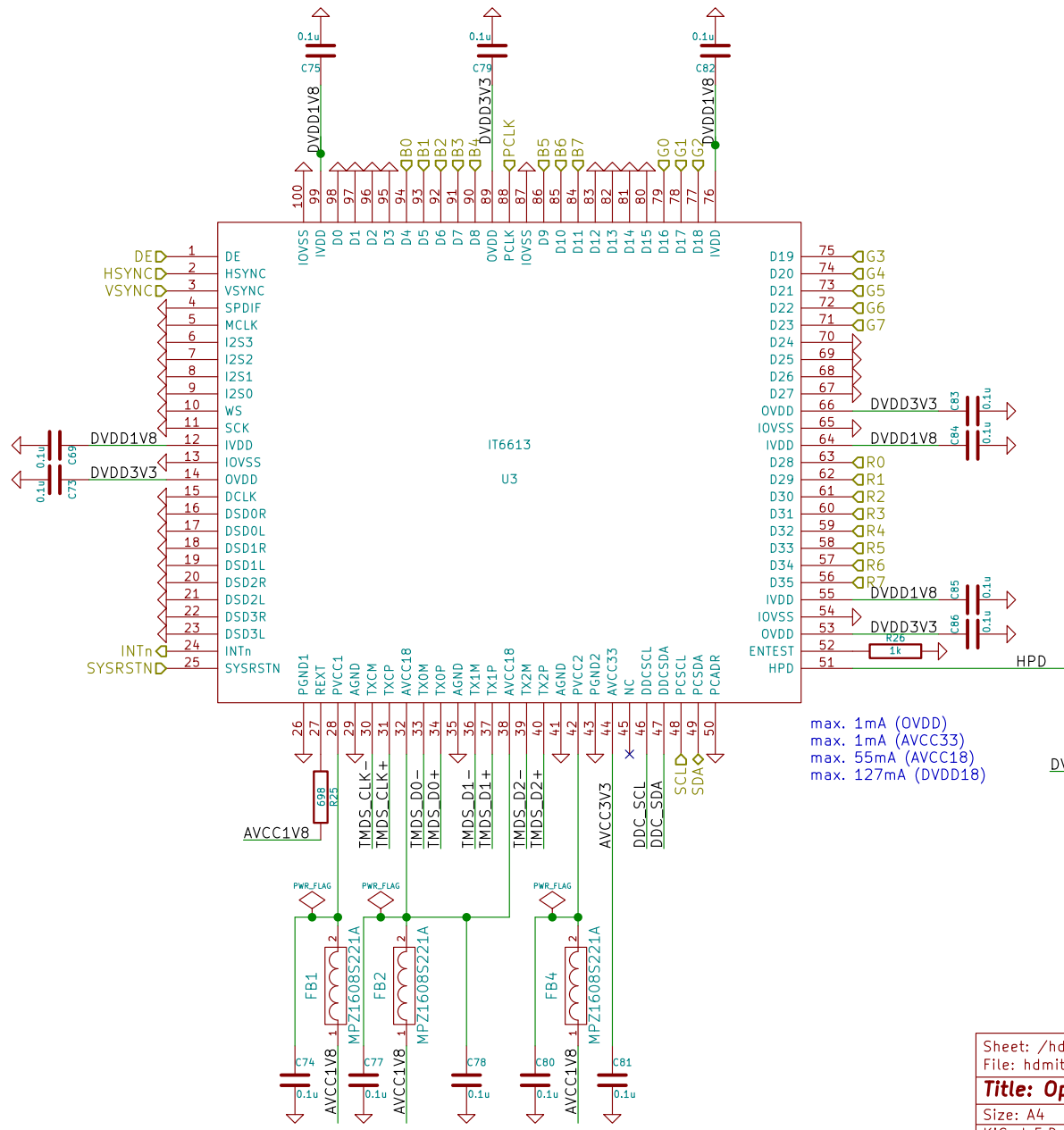




Sheet: /tvp_board1/
 File: tvp_board.sch

Title: Open Source Scan Converter

Size: A4	Date: 2016-01-01	Rev: 1.3
KiCad E.D.A. kicad 4.0.2+dfsg1-stable		Id: 3/4



max. 1mA (OVDD)
 max. 1mA (AVCC33)
 max. 55mA (AVCC18)
 max. 127mA (DVDD18)

DVDD3V3 > DVDD3V3
 AVDD3V3 > AVCC3V3
 5V > 5V

